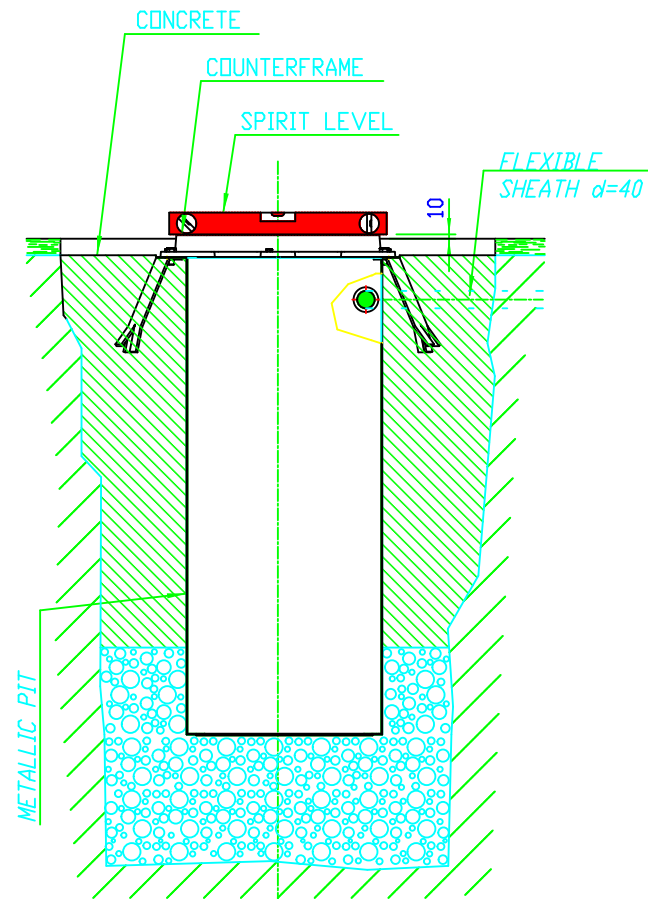


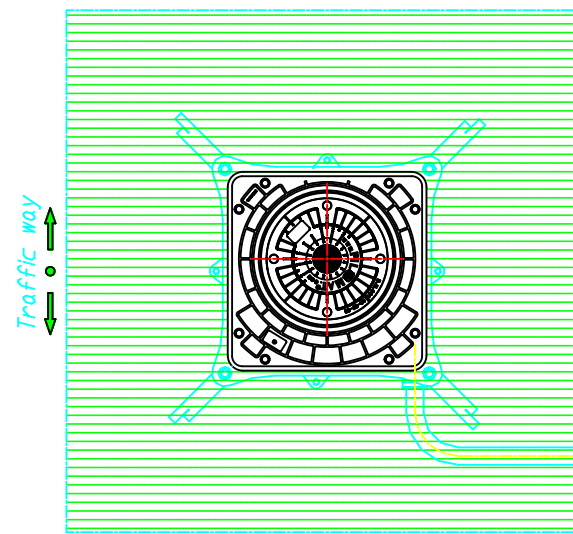
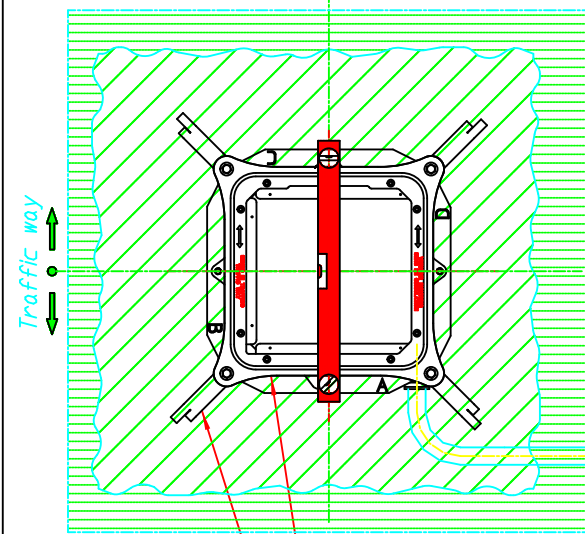
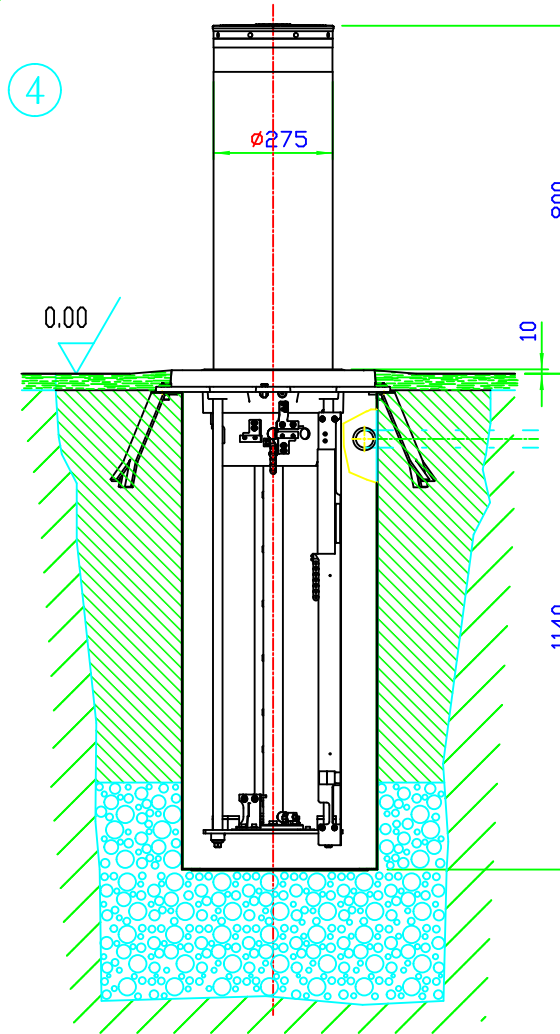
PILOMAT PASS - AUTOMATIC BOLLAR - 275/P-800A  
INSTALLATION PLAN

DIS. P275\_SC79

3



4



COUNTERFRAME  
FOUNDATIONS CLAMPS