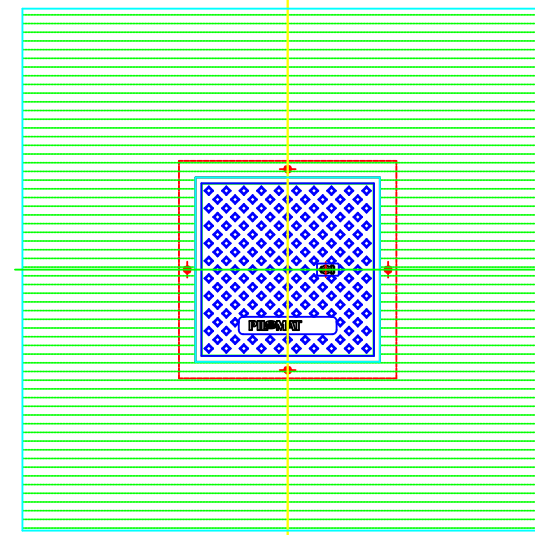
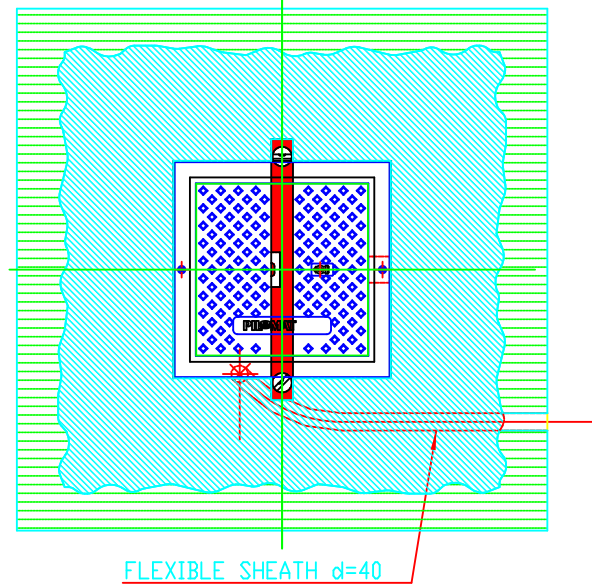
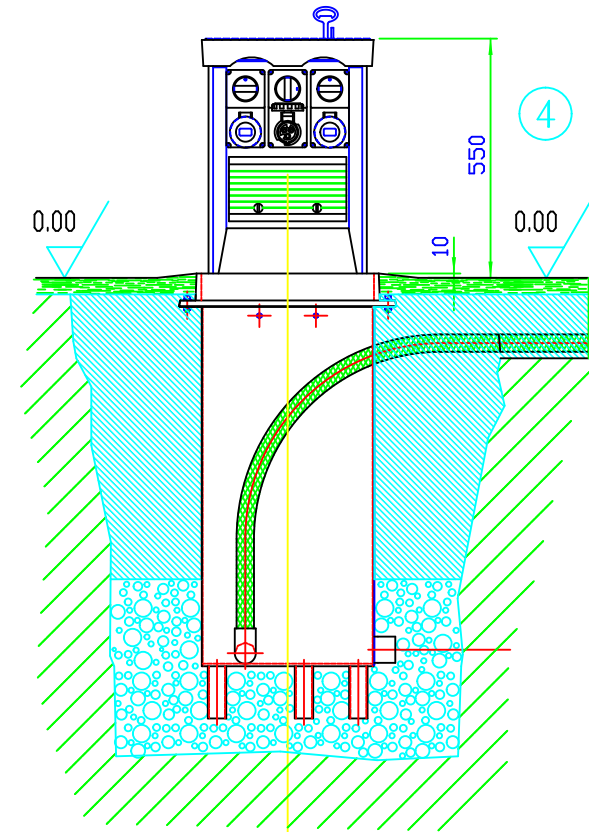
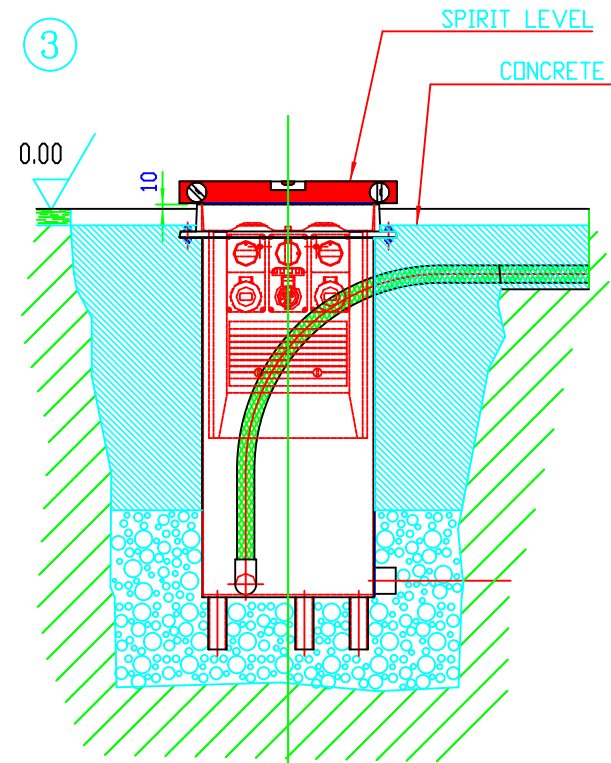


PILOMAT ENERGY B4040-50
SEQUENCE INSTALLATION

DIS. B4040-50_002_EN



PILOMAT®

Via Zanica, 17/P - 24050 Grassobbio (BG)
Tel.035 297220 - Fax.035 297094